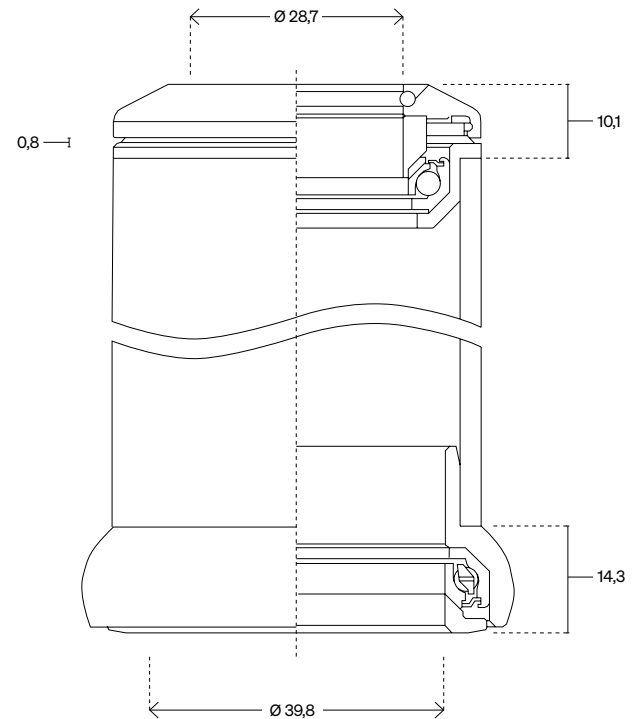


Classic 1®

Finitura Black polish
Black polish finish



Finitura Silver polish
Silver polish finish



IT • Deda ha creato la nuova serie Classic® dedicata a moderni telai in titanio, acciaio e alluminio. Il modello Classic1 si adatta a tubi sterzi da 44mm di diametro interno con calotta esterna inferiore per forcella conica da 1.5" e semi-integrata superiore da 1 1/8". La serie sterzo è caratterizzata dalla raffinata finitura black o silver polish per intonarsi a qualsiasi colore di telaio.

EN • Deda created the new Classic® headset series to fit solutions in titanium, steel and alloy modern bicycle frames. The Classic 1 model is designed to fit 44mm i.d. headtube with an external lower cup for 1.5" tapered steerer fork combined with a 1-1/8" semi-integrated upper. The headset comes with a luxury black or silver polish finish to match any frame color.

Materiale:
Calotte in alluminio
Cuscinetti in acciaio
Finitura:
Black o Silver polish
Peso:
91g

Material:
Alloy cups
Chrome steel bearings
Finish:
Black or Silver polish
Weight:
91g

↓ Description

CLASSIC 1 Headset, Upper Semi-Integrated 1 1/8", Lower External Cup 1.5", Black polish
CLASSIC 1 Headset, Upper Semi-Integrated 1 1/8", Lower External Cup 1.5", Silver polish

↓ Deda Part Code

HDCLASSIC1
HDCLASSIC1S

↓ EAN13 Code

8052783486863
8052783488997