

**SL45TDB - SL88TDB
CARBON TUBULAR DISC BRAKE WHEELSET**

SL45TDB - SL88TDB



Congratulations on your new Deda Elementi wheels. Please read these instructions carefully and follow them for correct use. An improper installation or wrong application of the instructions could damage the product, that will be no more covered under warranty, damage the bicycle or cause an accident resulting in injury or death. Since specific tools and experience are necessary for proper installation, it is recommended that the product be installed by an official Deda Elementi dealer or a qualified bicycle technician.

CONTENTS

ENG

1	GENERAL SAFETY INFORMATION _____	pag. 4
2	WARRANTY _____	pag. 5
3	PACKAGING _____	pag. 6
4	TECHNICAL SPECIFICATIONS _____	pag. 6
5	TIRES _____	pag. 7
6	SPROCKETS INSTALLATION _____	pag. 8
7	DISC BRAKE ROTOR _____	pag. 9
8	FITTING THE WHEELS ON THE FRAME _____	pag. 10
9	CLEANING, MAINTENANCE AND REPLACEMENT PARTS _____	pag. 13

It is the user's responsibility to examine the product on a regular basis to determine the need for service or replacement. Wheels and their components are products that wear from normal use of the bicycle, for that reason we recommend cyclists to regularly inspect their bicycle and parts in order to detect any damage. If any doubts or problems occur, discontinue riding the wheels and have them inspected by an official Deda Elementi dealer or a qualified bicycle technician.

- These wheels have been designed and intended to be used on normal paved surfaces. In case of use on not paved surfaces or off-road, wheels can be subjected to damages, loose their functioning and cause serious accidents and injury for the user.
- Regularly check the wheels to be certain they are installed correctly to the bicycle and fastened securely to the frame and fork.
- If any bicycle fall or accident occur, discontinue riding the wheels and have them inspected carefully by an official Deda Elementi dealer or a qualified bicycle technician.
- Frequently check the status of the wheels parts subjected to wear and if necessary make the maintenance and/or parts replacement through the official Deda Elementi dealers.
It is recommended to make an inspection after each riding season or every time in case of bearing problems, wheel out of center or damaged parts are apparent
- Install only bicycle tires compatible with rims technical specifications included in this user's manual. The installation of tires not compatible can damage the rim wheels, invalidate the Deda Elementi Warranty and cause serious accidents and injury for the user.
- Follow the minimum inflation pressure recommended by the tire manufacturer. The use of inflation pressures out of this range can damage the rim, invalidate the Deda Elementi Warranty and cause serious accidents and injury for the user.
- Read the whole User's Manual carefully and keep it in a safe place for later reference.

Deda Elementi warrants that all Deda Elementi products are free from defects in materials or workmanship for a period of two years after original purchase unless otherwise stated on the Warranty policy.





The Warranty is valid for the purchase of an original Deda Elementi product only.

2.1 LIMITS OF WARRANTY

- In case of sale or product cession, the Warranty will be considered valid for a two years period only from the original purchase.
- The Warranty doesn't cover damages caused by modifications, even small; any kind of adaptations or alteration; maintenance performed by an unauthorized people; use of the product outside the normal riding conditions on paved road surfaces. The Warranty doesn't cover even damages caused by impacts, collisions, falls that may occur for accidental reasons.
- The Warranty doesn't cover aesthetic defects like: matting, chap, fading or other phenomenons that may occur to the wheels during the use and after the bicycle cleaning using water in pressure, solvents or similar products, petrol.
- In case of imperfections, defects or damages found on the product, the user is asked to entry in contact with the dealer within 10 (ten) days; after this period ends the Warranty will be no more considered eligible.

Deda Elementi reserves the right to modify partially or completely the products, instructions and warranty without any notice to the customer.

The Wheels package you have just purchased contains the following items:

-  The wheels
-  Wheels bag
-  User's Manual
-  2 valve extensions

TECHNICAL SPECIFICATIONS:

Wheels Model		SL45TDB	SL88TDB
Compatibility cassettes		10s Shimano / Sram (with 1.80 mm spacer) 11s Shimano / Sram * 12s Sram ** 10-11-12s Campagnolo	10s Shimano / Sram (with 1.80 mm spacer) 11s Shimano / Sram * 12s Sram ** 10-11-12s Campagnolo
Rim	Size	632x25	632x25
	Width	25.0mm	25.0mm
	Height	45.0mm	45.0mm
Tire Compatibility		tubular	tubular
Recommended tire sizes		min 700x25 - max 700x40	min 700x25 - max 700x40
Hubs	Front	100mm	100mm
	Rear	142mm	142mm
Spokes	Front	235 mm; flat; straight pull	278 mm; flat; straight pull
	Rear Non Drive side	235 mm; flat; straight pull	278 mm; flat; straight pull
	Rear Drive side	233 mm; flat; straight pull	276 mm; flat; straight pull
Nipples		15 mm ABS, aluminum	15 mm ABS, aluminum
Disc brake rotor compatibility		Shimano® Center Lock (***)	Shimano® Center Lock (***)
Frames compatibility	Thru-Axle	Front 12x100 mm, Rear 12x142 mm (standard)	Front 12x100 mm, Rear 12x142 mm (standard)
	Traditional system QR	Front 100 mm, Rear 135 mm (kit available as spare part)	Front 100 mm, Rear 135 mm (kit available as spare part)
	15 mm Front Thru-Axle	Front TA 15 mm (kit available as spare part)	Front TA 15 mm (kit available as spare part)

* Sram XDR freehub body version

** Campagnolo freehub body version

*** Disc brake rotor not included into the wheel package

DEDA SL Carbon Tubular wheels series are designed to be compatible with tubular tires that require the tire bonding directly on the rim bed surface. Check tires dimensions according to the rim technical specifications included in this user's manual.

Before tire installation apply electric adhesive tape around the valve air in order to avoid annoying rumors due to the contact between aluminum valve and rim surface. Before tire installation carefully read the recommended instructions of the tubular tire manufacturer.

It is always recommended to respect the following procedure:

- Slightly sand-paper the bed rim surface using very thin paper.
- Use acetone or similar product to degrease the contact surface rim-tubular in order to remove residual that can affect the bonding efficiency.
- Apply at least 2 coats of glue to the rim bed surface and 1 coat to the tubular tire.
- Wait till the glue is complete dry on the rim and tubular before mounting the tubular on the rim.
- Wait at least 24 hours, after the tubular tire has been installed on the wheel, before using the bicycle.
- Proceed with tire inflation as per tire manufacturer recommendations

WARNING: Do not use tires non compatible with this wheel. The use of non compatible tires can cause sudden and unexpected loss of pressure, loss of control and tire failure resulting in serious accident and injury for the user.

WARNING: Tubular tire installation requires a specific experience of the product, in case of doubts please contact an official Deda Elementi dealer or a qualified bicycle technician. During tire installation don't use tools or tire lever that can fold, damage or fragilize the rim edge. An incorrect tire installation can cause serious accidents and injury for the user.

WARNING: Follow the minimum inflation pressure recommended by the tire manufacturer. The use of inflation pressures out of this range can damage the rim, invalidate the Deda Elementi Warranty and cause serious accidents and injury for the user.

SPROCKETS INSTALLATION

Deda Elementi wheels are available with Shimano® 10-11 speed, Sram® 10-11-12 speed and Campagnolo® 10-11-12 speed cassette. Read and carefully follow the installation instructions of the sprockets. The rear wheel with Shimano® freehub body is supplied with a 1.80mm aluminum spacer that is intended to be used with Shimano® /Sram® 10 speed cassette only . Please don't use 1.80mm spacer with 11 speed cassette.

Sram 12 speed groupset requires the use of the XD-R freehub body compatible, available as spare part (part. No. WD17XDRSL).

Wheel Type	Freehub Cassette Compatibility		
Shimano/Sram	Sram 12s*	Shimano/Sram 11s	Shimano/Sram 10s + dist. 1.80mm
Campagnolo	Campagnolo 12s	Campagnolo 11s	Campagnolo 10s

*with XD-R compatible freehub body

WARNING: Since specific tools and experience are necessary for proper sprockets installation, in case of doubts it is recommended that the product be installed by an official Deda Elementi dealer or a qualified bicycle technician. An incorrect sprockets installation can cause serious accidents and injury for the user.

WARNING: Please make sure that wheel freehub body be compatible with your sprockets cassette before proceed with the assembly. Failure to insure compatibility between wheel and sprockets cassette can cause malfunction of the bicycle drive train resulting in serious accident and injury for the user.

DISC BRAKE ROTOR

Deda SL45TDB and SL88TDB Disc Brake wheels are compatible with Shimano® Center Lock locking systems.

The disc brake rotors are not included into the wheels box.

For Rotors installation with Shimano® Center Lock locking systems read and carefully follow the instructions of the disc brake manufacturer.

WARNING: Disc brake rotor installation requires a specific experience of the product.

In case of doubts please contact an official Deda Elementi dealer or a qualified bicycle technician.

An incorrect rotor installation can cause serious accidents and injury for the user.

WARNING: Since specific experience is necessary for proper wheels installation, in case of doubts it is recommended that the product be installed by an official Deda Elementi dealer or a qualified bicycle technician. An incorrect wheels installation can cause serious accidents and injury for the user.

Deda SL45TDB and SL88TDB wheels are pre-assembled from the factory with Thru- axle locking system (Front 12x100, Rear 12x142). The Thru-axles are not included into the wheels package.

For thru-axle installation and wheels locking to the frame and fork read and carefully follow the installation instructions provided by the bicycle and fork manufacturer.

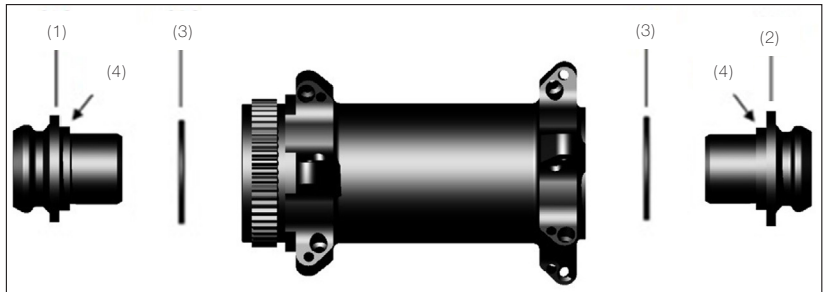
WARNING: An incorrect installation of the through axle can result in the wheel separation from the fork and cause serious accidents and injury for the user.

Conversion kit for Quick Release (100 mm Front/ 135 mm Rear) and Thru-axle (TA 15 mm Front) are available as spare parts.

8.1 CONVERSION END CAPS KIT MOUNTING

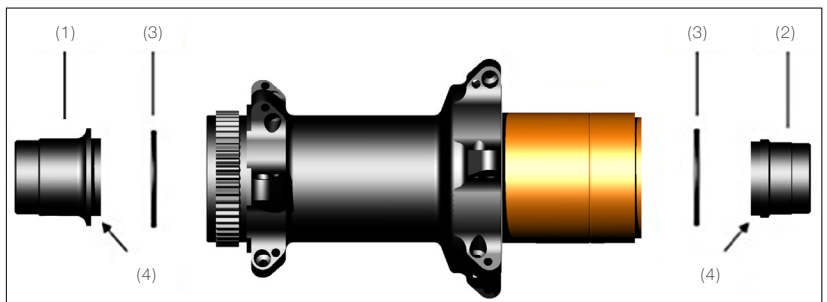
Front hub

- Remove the pressure end caps installed on the front hub (standard TA 12x100 mm) and replace them with those you need (QR 100 mm, TA 15 mm)
- Install the end cap with the smaller flange diameter (1) on the disc brake rotor side and the one with the bigger flange diameter (2) on the opposite side
- Make sure the washer (3) is correctly positioned in its seat on the end cap (4) before inserting caps into the hub

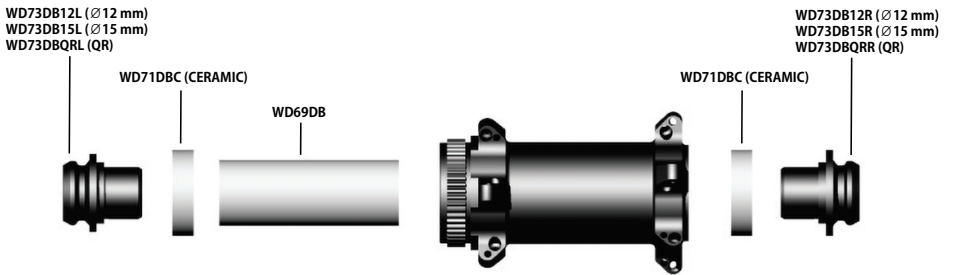
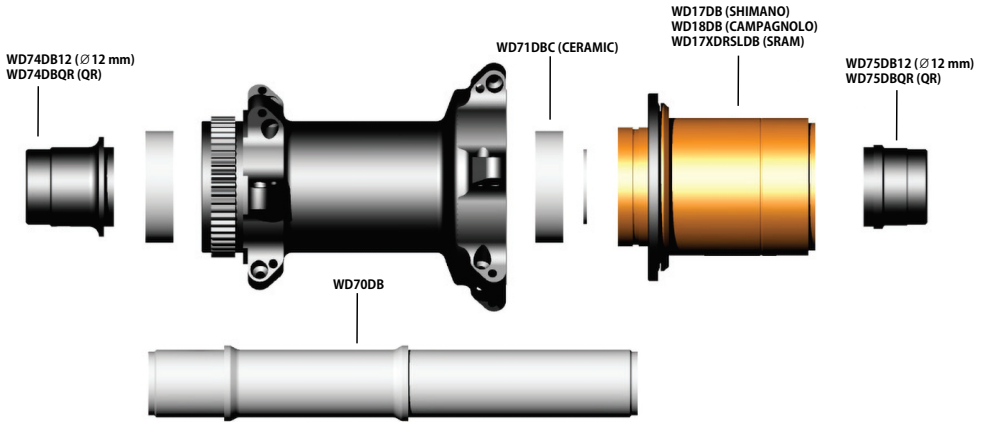


Rear hub

- Unscrew the end caps fastened to the rear hub axle (standard TA 12x142 mm) with appropriate wrenches and replace them with those you need (QR 135 mm)
- Install the longer end cap (1) on the disc brake rotor side and the shorter one (2) on the opposite side (drive side)
- Make sure the washer (3) is correctly positioned in its seat on the end cap (4) before inserting the caps into the hub



8.2 HUBS SPARE PARTS SPECIFICATIONS



The wheels you have just purchased are high technology products that require specific care and maintenance to fully obtain the maximum performance advantages and to preserve them over time. So we recommend to follow simple rules of use to avoid any kind of problem.

WARNING: Never clean the wheels and parts using high pressure and high temperature water. The water pressure can overcome seals and bearings protections systems causing damages irreparably or malfunction of internal parts of the hub. Never use solvents, chemical products, petrol or similar substances, over the hubs that can damage seals and rubber gaskets or remove the grease from the bearings completely.

After the bicycle washing, dry every parts and components avoiding to store water into the hollow points of the wheel (for instance inside the rim and hub). Frequently check the wear status of the wheels parts and if necessary make the maintenance and/or parts replacement through the official Deda Elementi dealers.

The recommended service intervals depend on the use and using condition of the wheels. It is recommended to make an inspection after each riding season or every time in case of bearing problems, wheel out of center or damaged parts are apparent. Since specific tools and experience are necessary for hub maintenance, wheel truing or parts replacement it is recommended that the service should be done by official Deda Elementi dealer.

For any service or replacement parts, only original Deda Elementi spare parts have to be used in order to guarantee the product quality and the warranty maintaining.

CONTACTS

For any question or technical information please contact Deda Elementi by visiting the website at www.dedaelementi.com and through the email address info@dedaelementi.com.

Dedaindustrie S.r.l reserves the right to modify without notice the content of this manual always guaranteeing the availability of the updated versions on the website download area.



www.dedaelementi.com

Dedaindustrie S.r.l.
Via Leonardo Da Vinci 19/21/23
26010 Campagnola Cremasca (CR) - Italia
Phone +39 0373 750 129
Fax +39 0373 751 105



www.dedaos.com.tw

Deda OS
No.8, Lane 150-30, Sec. 3, Xitun Rd.,
Xitun Dist.
Taichung City 407, Taiwan (R.O.C.)
tel: +886-4-24623436
fax: +886-4-24623430



#ridededa

WDIST11A



8

052783

484296

MADE IN ITALY