

MANUALE D'USO
E MANUTENZIONE

USER'S MANUAL

Deda
ELEMENTI

Ver. 0 - Luglio/July 2017 ©Deda Elementi

SPESSORI POGGIAGOMITI ARMREST SPACERS

(MOD. 2018 / MY2018)

Spessori Poggiagomiti



CONTATTI

Per qualsiasi domanda o informazione tecnica potete contattare direttamente Deda Elementi visitando il sito internet www.dedaelementi.com e tramite l'indirizzo email info@dedaelementi.com

Deda Elementi s.r.l si riserva il diritto di modificare senza preavviso il contenuto del presente manuale garantendo sempre la disponibilità della versione più aggiornata sul sito internet nell'area download.

CONTACTS

For any question or technical information please contact Deda Elementi by visiting the website at www.dedaelementi.com and through the email address info@dedaelementi.com.

Deda Elementi s.r.l reserves the right to modify without notice the content of this manual always guaranteeing the availability of the updated versions on the website download area.

Congratulazioni per il vostro nuovo prodotto Deda Elementi. Leggere e seguire attentamente le seguenti istruzioni per un corretto utilizzo. Un errato montaggio e un'incorretta applicazione delle seguenti istruzioni può danneggiare il prodotto che non sarà più coperto dalla garanzia, danneggiare la bicicletta o causare un incidente. Per una appropriata installazione del prodotto sono richiesti specifici attrezzi e una adeguata esperienza, si raccomanda dunque che il prodotto sia installato dai punti vendita ufficiali Deda Elementi o da personale qualificato nel montaggio di biciclette.

Congratulations on your new Deda Elementi product. Please read these instructions carefully and follow them for correct use. An improper installation or wrong application of the instructions could damage the product, that will be no more covered under warranty, damage the bicycle or cause an accident resulting in injury or death. Since specific tools and experience are necessary for proper installation, it is recommended that the product be installed by an official Deda Elementi dealer or a qualified bicycle technician.

It is the user's responsibility to examine the product on a regular basis to determine the need for service or replacement. Wheels and their components are products that wear from normal use of the bicycle, for that reason we recommend cyclists to regularly inspect their bicycle and parts in order to detect any damage. If any doubts or problems occur, discontinue riding the wheels and have them inspected by an official Deda Elementi dealer or a qualified bicycle technician.

- This handlebar has been designed and intended to be used on normal paved surfaces. In case of use on not paved surfaces or off-road, the product can be subjected to damages, lose its functioning and cause serious accidents and injury for the user.
- If any bicycle fall or accident occur, discontinue riding the bicycle and have it inspected carefully by an official Deda Elementi dealer or a qualified bicycle technician. The use of any damaged bicycle part can cause serious accidents and injury for the user.
- Read the whole User's Manual carefully and keep it in a safe place for later reference.

Deda Elementi warrants that all Deda Elementi to be free from defects in materials or workmanship for a period of two years after original purchase unless otherwise stated on the Warranty policy.

The Warranty is valid for the purchase of an original Deda Elementi product only.

2.1 LIMITS OF WARRANTY

- In case of sale or product cession, the Warranty will be considered valid for a two years period only from the original purchase.
- The Warranty doesn't cover damages caused by modifications, even small; any kind of adaptations or alterations; maintenance performed by an unauthorized people; use of the product outside the normal riding conditions on paved road surfaces. The Warranty doesn't cover even damages caused by impacts, collisions, falls that may occur for accidental reasons.
- The Warranty doesn't cover aesthetic defects like: matting, chap, fading or other phenomenons that may occur to the wheels during the use and after the bicycle cleaning using water in pressure, solvents or similar products, petrol.
- In case of imperfections, defects or damages found on the product, the user is asked to entry in contact with the dealer within 10 (ten) days; after this period ends the Warranty will be no more considered eligible.

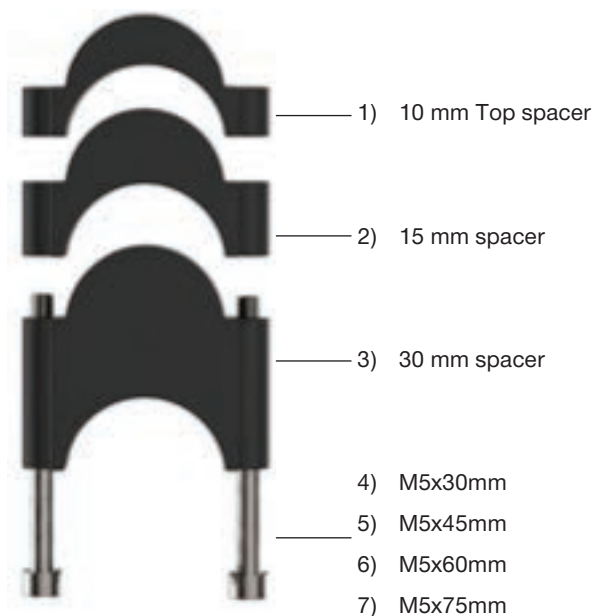
Deda Elementi S.r.l. reserves the right to modify partially or completely the products, instructions and warranty without any notice to the customer.

Deda Riser Spacer Kit (item code No. PARARISERKIT) allows increasing armrests and TT extensions height up to 55 mm.

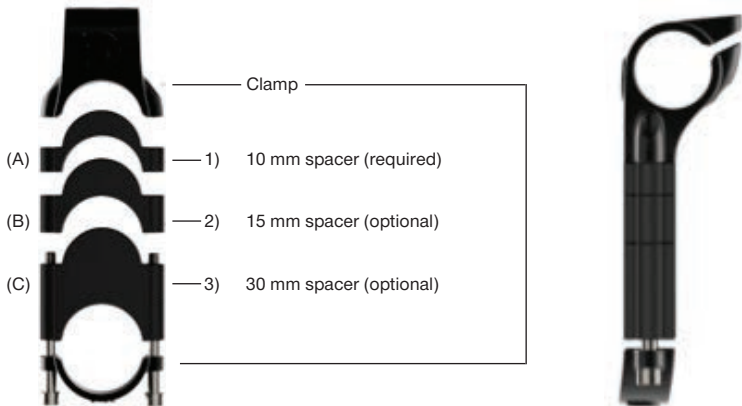
WARNING: Compatible with Parabolica and Fastblack2 series with 31.7 mm diameter only.

The product package you have just purchased contains the following parts:

- 1) 10 mm Spacer (Top Spacer), 2pcs
- 2) 15 mm Spacer, 2pcs
- 3) 30 mm Spacer, 2pcs
- 4) Screw M5x30mm, 4 pcs
- 5) Screw M5x45mm, 4 pcs
- 6) Screw M5x60mm, 4 pcs
- 7) Screw M5x75mm, 4 pcs



Install spacers one above the other following the instructions below.



1. It is mandatory to use the 10 mm Top Spacer (1) and it must be installed directly under the clamp.
2. 15 mm (2) and 30 mm (3) spacers are optional. They can be used to adjust armrests and extensions position according to the desired height.
3. According to the selected spacers, use the appropriate length screws to ensure the correct assembly.

Bolt type	Spacers
M5x30mm	(A)
M5x45mm	(A)+(B)
M5x60mm	(A)+(C)
M5x75mm	(A)+(B)+(C)

4. Tighten the two clamp screws alternately, turning $\frac{1}{2}$ turn at a time, until a minimum torque of 4Nm is reached. If the clamp is not tight enough on the handlebar, increase the torque up to a maximum of 5 Nm.
NOTE: Before riding the bicycle with the extensions mounted, please check the clamp fastening.

WARNING: Always use a calibrated torque wrench to tighten the bolts. Use the minimum clam bolts tightening torque required to ensure that the clamp does not rotate on the handlebar (Max. 5 Nm).

An unnecessarily high torque generates a dangerous state of radial compression on the handlebar that may crack and/or break without notice.



www.dedaelementi.com

Deda Elementi S.r.l.
Via Leonardo Da Vinci, 21/23
26010 Campagnola Cremasca (CR) - Italia
Tel. +39 0373 750 129
Fax +39 0373 751 105



www.dedaos.com.tw

Deda OS
No.8, Lane 150-30, Sec. 3, Xitun Rd.,
Xitun Dist.
Taichung City 407, Taiwan (R.O.C.)
tel: +886-4-24623436
fax: +886-4-24623430

Deda Elementi USA
dedausa@dedaelementi.com



#ridededa