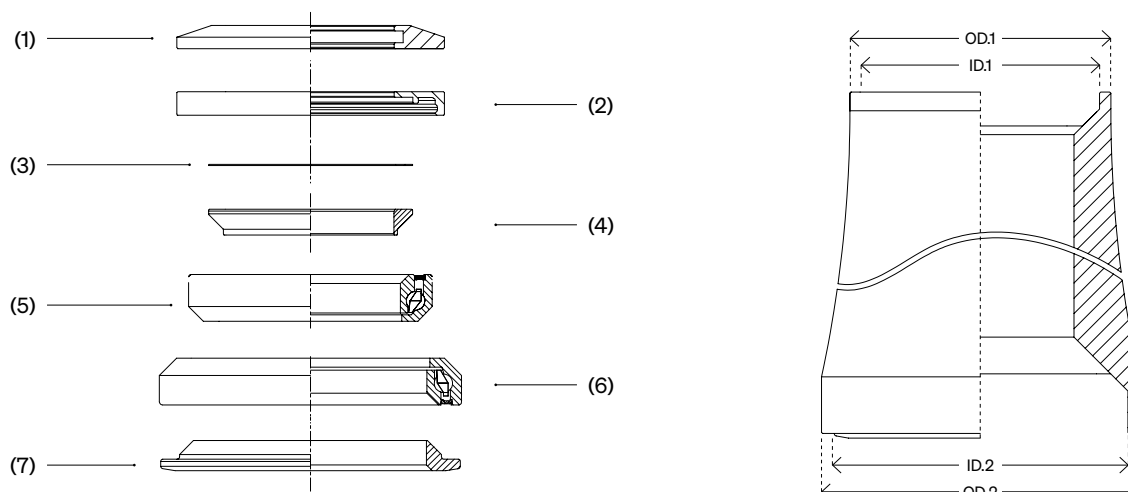


Serie Sterzo Headset



↓ Headset	↓ (1)	↓ (2)	↓ (3)	↓ (4)	↓ (5)	↓ (6)	↓ (7)
IN-4	HDTPA46N Alloy, Ø46 mm HDTPC46N Carbon, Ø46 mm	HDHTC46N Alloy Ø46 mm	HDMS*	HDCOMPRIN Nylon Grey	HDB8INSUJ 41,8X30,5X8 mm	HDB4INSUJ 46,9X34,1X7 mm	HDCR4IN
IN-5	HDTPA46N Alloy, Ø46 mm HDTPC46N Carbon, Ø4 6mm	HDHTC46N Alloy Ø46 mm	HDMS*	HDCOMPRIN Nylon Grey	HDB8INSUJ 41,8X30,5X8 mm	HDB5SUJ 51,9X40X8 mm	HDCR5

(*) masterpack 10 PCS

↓ Articolo Item	↓ Modello Model	↓ Tubo Sterzo Superiore Upper Frame Headtube		↓ Tubo Sterzo Superiore Upper Frame Headtube			↓ Tubo Sterzo Inferiore Lower Frame Headtube		↓ Cuscinetto Inferiore Lower Bearing			↓ Alt. Strz. Stack Hgt.
		↓ OD.1	↓ ID.1	↓ Type	↓ Bearing Cont. Ang.	↓ Bearing Cont. Ang.	↓ OD.2	↓ ID.2	↓ Type	↓ Bearing Cont. Ang.	↓ Bearing Size mm	
IN-4	Integrated	46 mm	42 mm	1 1/8"	45°×45°	41,8×30,5×8	52 mm	47 mm	1 1/4"	45°×45°	46,9×34,1×7	9,6 (8,8+0,8) mm
IN-5	Integrated	46 mm	42 mm	1 1/8"	45°×45°	41,8×30,5×8	56 mm	52 mm	1 1/4"	45°×45°	51,9×40×8	9,6 (8,8+0,8) mm